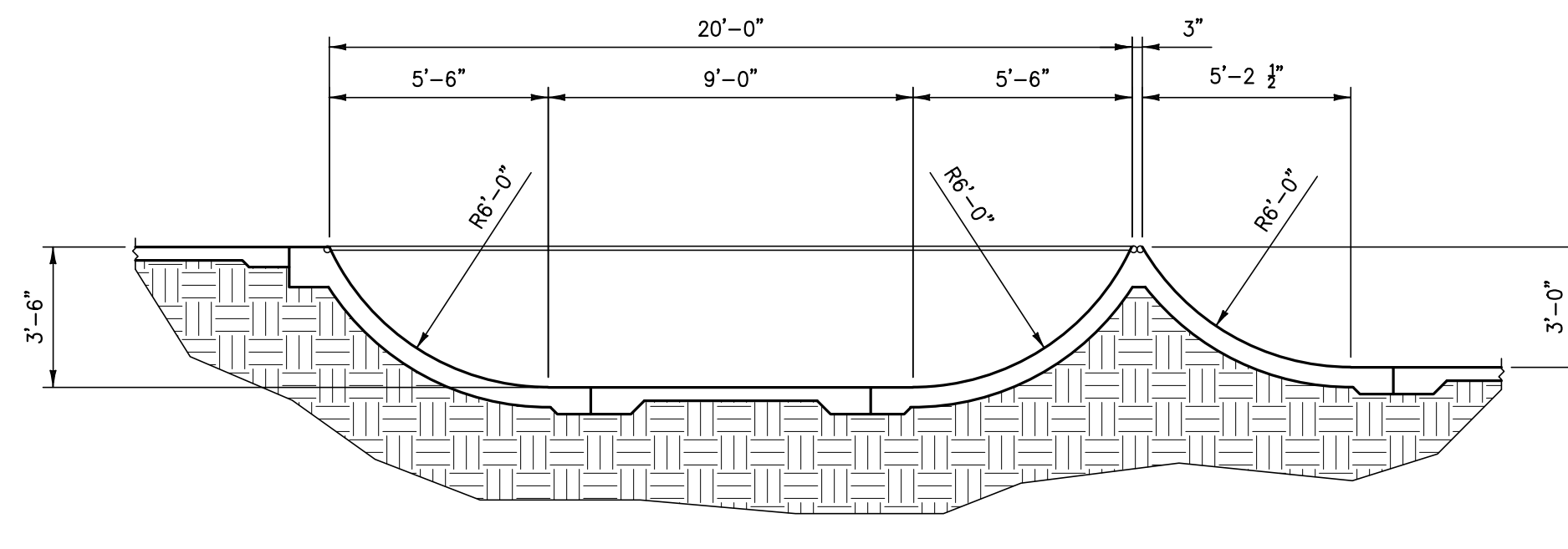
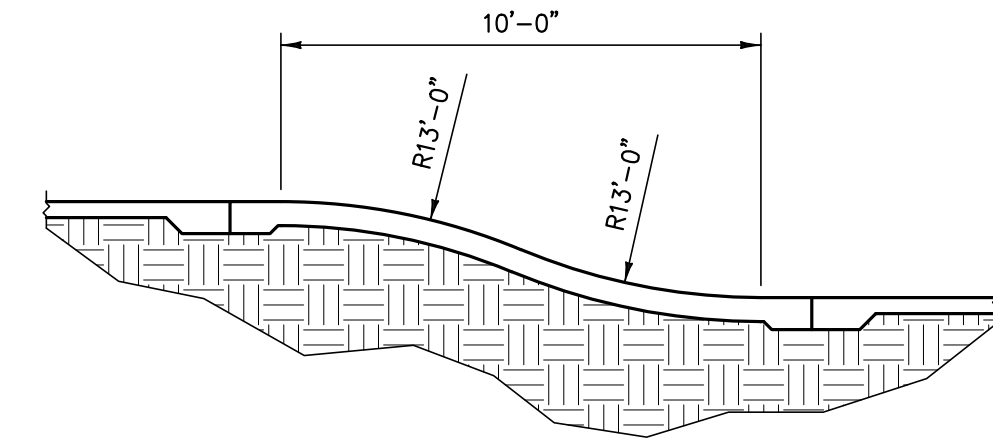


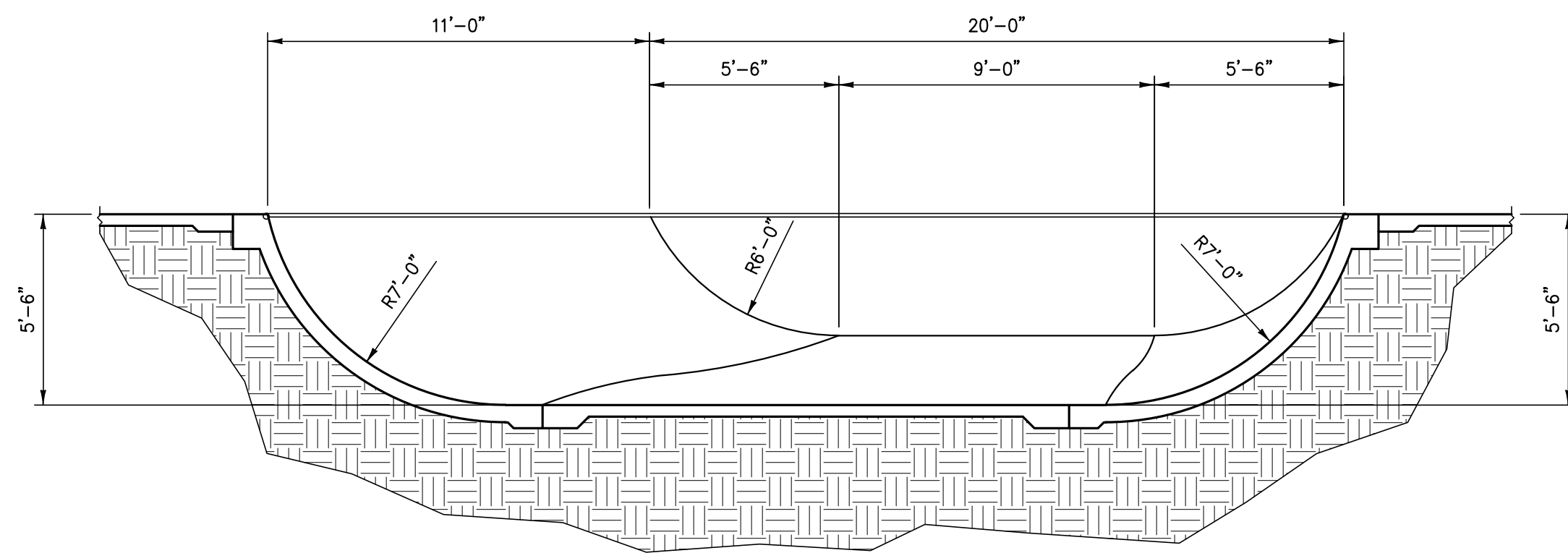
A SECTION  
1/4" = 1'-0"



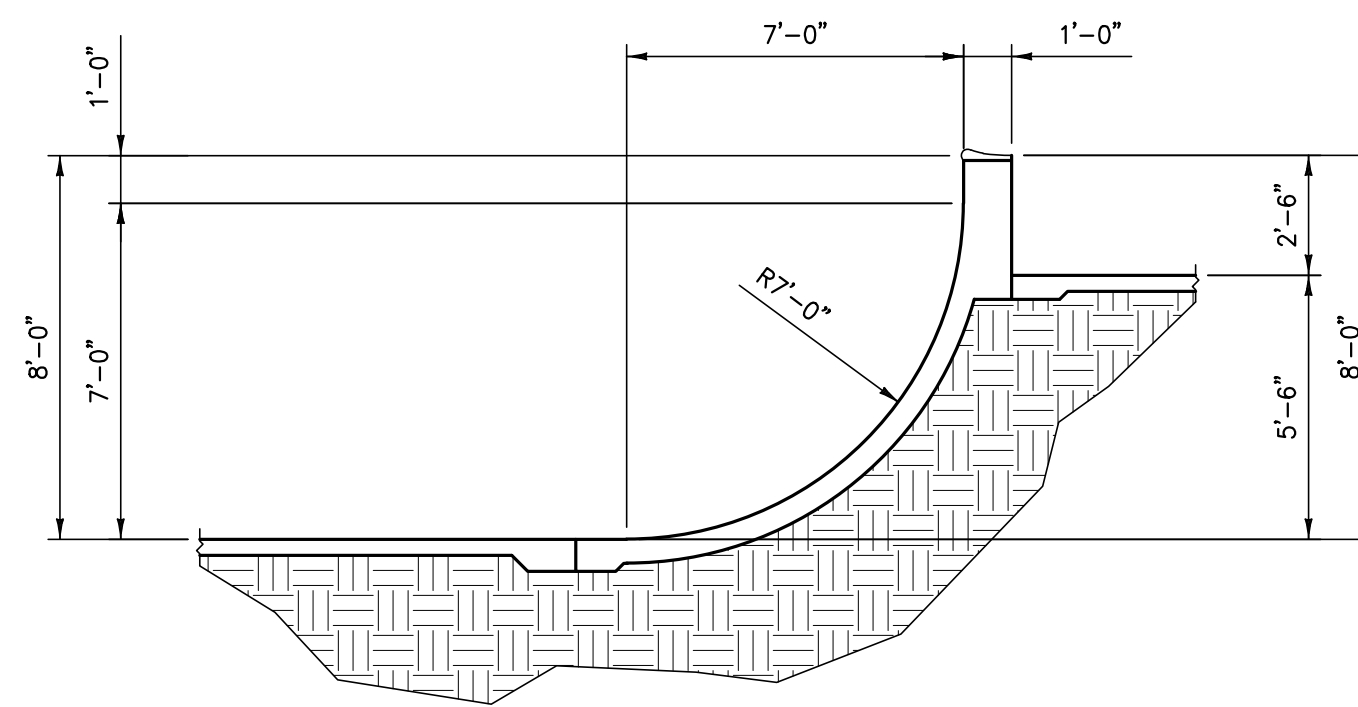
B SECTION  
1/4" = 1'-0"



C SECTION  
1/4" = 1'-0"



D SECTION  
1/4" = 1'-0"



E SECTION  
1/4" = 1'-0"

Intertribal Building  
& Development LLC  
Custom Concrete Design  
and Construction  
970-310-6454



City of Tahlequah  
Skatepark at Sequoyah Park  
North Brookside Ave, Tahlequah, OK 74464

ORIGINAL ISSUE: 1 Aug 2017

REVISED ISSUE: .

DRAWN BY: RRC

CHECKED BY: .

Bid Alternate 1 : Flow Bowl  
Sections

REVISION NUMBER

0

JOB NUMBER 160003

SP-10

10 OF 10